

## DESCRIPTION

- Brass construction
- Flexible supply lines with 3/8" fittings
- Includes Red/Blue indicators

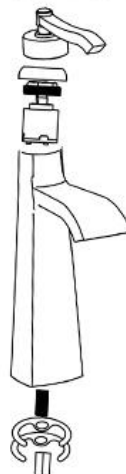
## CARTRIDGE

- Ceramic disk cartridge

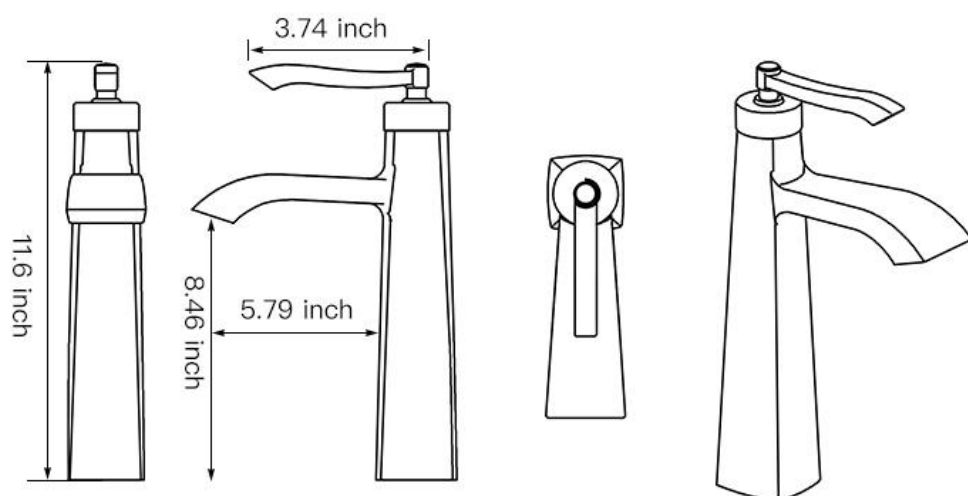
## STANDARDS

- ADA for lever handle

## Specifications



Single-Handle Vessel Sink Faucet Installation



CRITICAL DIMENSIONS

## Single-Handle Vessel Sink Faucet Installation

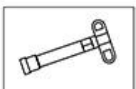
### INSTALLATION MANUAL Tools:



Adjustable wrench



Hexagon wrench



wrench



glasses

### Notes before installation :

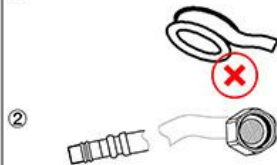
1. Please check that all components are present.
2. Before installation ensure that all feed lines are clear of debris and on/off valve is present.
3. Ensure water pressure is between 20-125 PSI (includes combination of hot and cold feed lines).
4. Pictures in the manual are general in content and may not represent exactly your purchased faucet. If you are having difficulties please contact a professional plumber.
5. If you will be away from home for an extended period you should shut off the main water supply.

### Daily maintenance

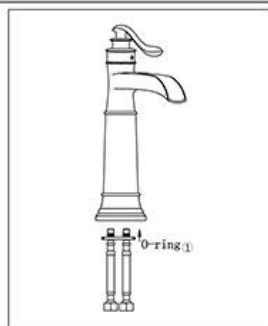
1. Use a soft cloth and vinegar to remove hard-water spots.
2. Check aerator (if present) regularly for calcium build up are when water stream is not optimum.
3. DO NOT use caustic cleaning products as the use will break down finish and will void the product warranty.
4. Acceptable cleaners include vinegar or mild non-abrasive liquid detergents.
5. If the water pressure appears to be less than optimum remove, inspect, clean or replace aerator.

### Warning

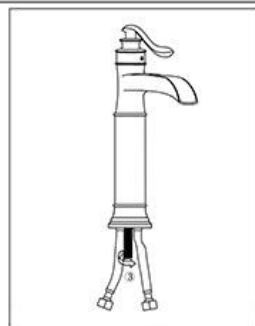
- ① NO TAPE NEEDED FOR INSTALLATION



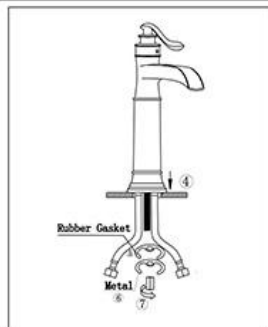
If when the flowing water get small or even none. Please first check and clean the hot and cold water pipe.



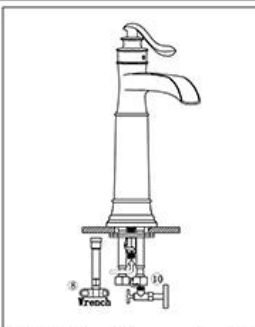
1. Remove the rubber washer, metal washer and locking nut from the faucet.



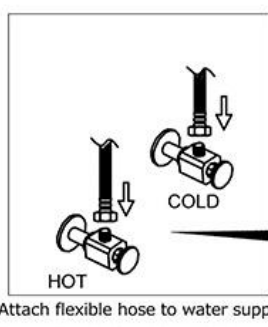
2. Screw and hand tighten the hot and cold flexible hoses to the faucet. DO NOT use a wrench to tighten hoses as this may damage the hose and/or the hose threads.



3. Install faucet through center hole.



4. Re-install the rubber washer followed by the metal washer and lock-nut. Hand tighten then tighten further using a screw driver to tighten lock-nut screws.

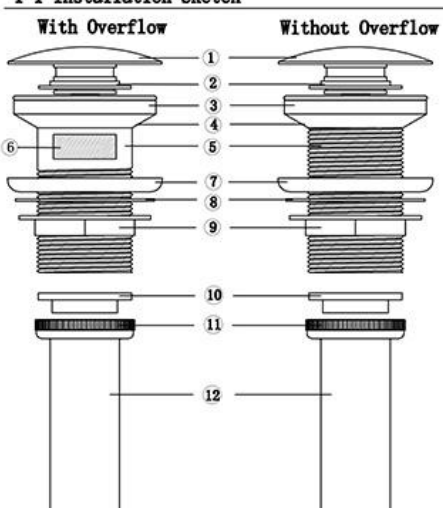


5. Attach flexible hose to water supply.

Run the hot and cold valve at least 15 seconds to clear it before connect

Noise could be significantly reduced by adjusting the valve water flow

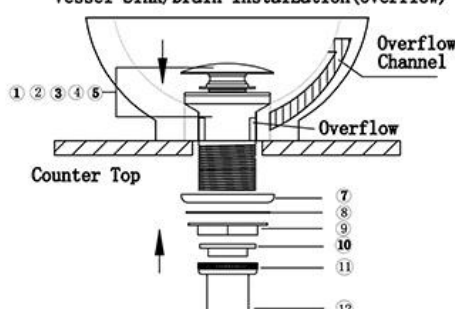
### 1-1 Installation Sketch



- |                  |                     |
|------------------|---------------------|
| ① Drain Cap      | ⑦ Silicon Gasket    |
| ② Silicon Gasket | ⑧ Plastic Washer    |
| ③ Sponge Gasket  | ⑨ Brass Locking Nut |
| ④ Silicon Gasket | ⑩ Rubber Gasket     |
| ⑤ Drain Body     | ⑪ Locking Nut       |
| ⑥ Overflow       | ⑫ Tail Pipe         |

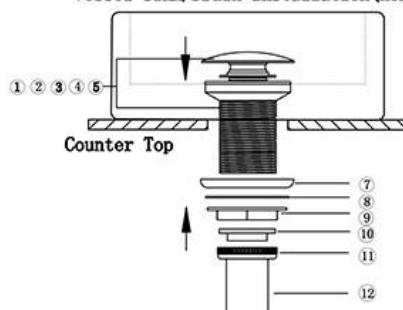
### 1-2 Installation Steps

#### Vessel Sink/Drain Installation(Overflow)



Installation as shown in the figure

#### Vessel Sink/Drain Installation(non-Overflow)



Installation as shown in the figure