

DESCRIPTION

- Brass construction
- Flexible supply lines with 3/8" fittings
- Includes Red/Blue indicators

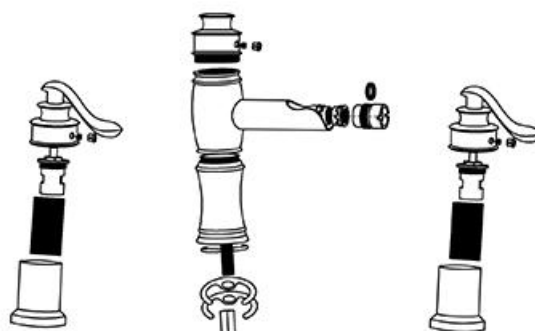
CARTRIDGE

- Ceramic disk cartridge

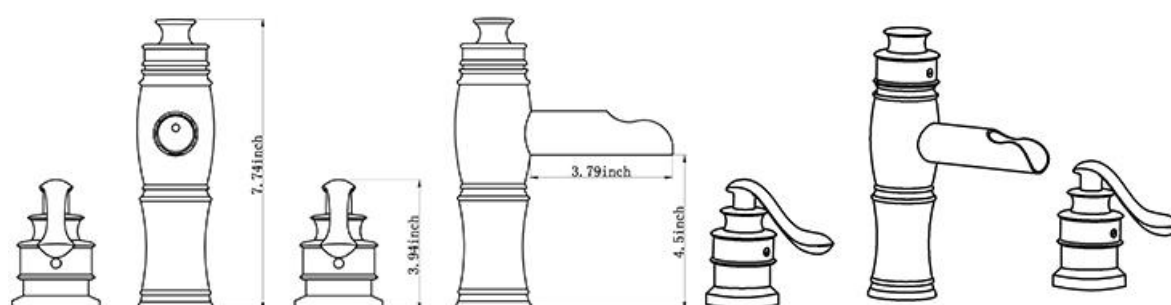
STANDARDS

- ADA for lever handle

Specifications



Two-Handle Widespread Faucet Installation



CRITICAL DIMENSIONS

Two-Handle Widespread Faucet Installation

INSTALLATION MANUAL Tools:

Adjustable wrench

Hexagon wrench

wrench

glasses

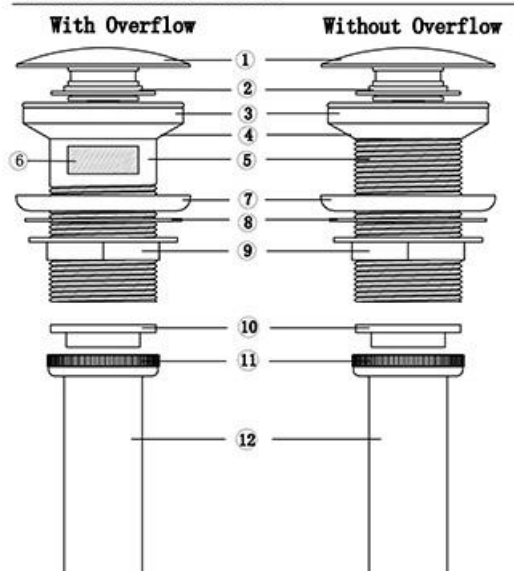
Notes before installation :

1. Please check that all components are present.
2. Before installation ensure that all feed lines are clear of debris and on/off valve is present.
3. Ensure water pressure is between 20-125 PSI (includes combination of hot and cold feed lines).
4. Pictures in the manual are general in content and may not represent exactly your purchased faucet. If you are having difficulties please contact a professional plumber.
5. If you will be away from home for an extended period you should shut off the main water supply.

Daily maintenance

1. Use a soft cloth and vinegar to remove hard-water spots.
2. Check aerator (if present) regularly for calcium build up are when water stream is not optimum.
3. DO NOT use caustic cleaning products as the use will break down finish and will void the product warranty.
4. Acceptable cleaners include vinegar or mild non-abrasive liquid detergents.
5. If the water pressure appears to be less than optimum remove, inspect, clean or replace aerator.

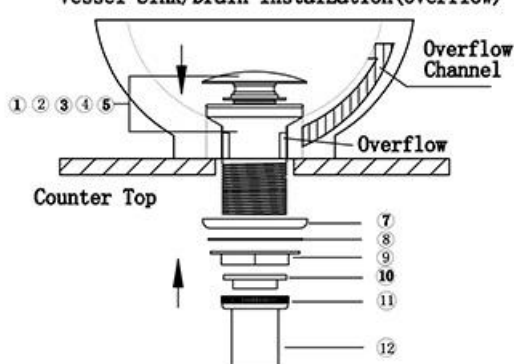
1-1 Installation Sketch



- | | |
|------------------|---------------------|
| ① Drain Cap | ⑦ Silicon Gasket |
| ② Silicon Gasket | ⑧ Plastic Washer |
| ③ Sponge Gasket | ⑨ Brass Locking Nut |
| ④ Silicon Gasket | ⑩ Rubber Gasket |
| ⑤ Drain Body | ⑪ Locking Nut |
| ⑥ Overflow | ⑫ Tail Pipe |

1-2 Installation Steps

Vessel Sink/Drain Installation(Overflow)



Vessel Sink/Drain Installation(non-Overflow)

